



Specifications

Controller MCTRL300

Overview

MCTRL300 is a standard model of Nova controllers. It has the same characteristics as sending card MSD300.

Features

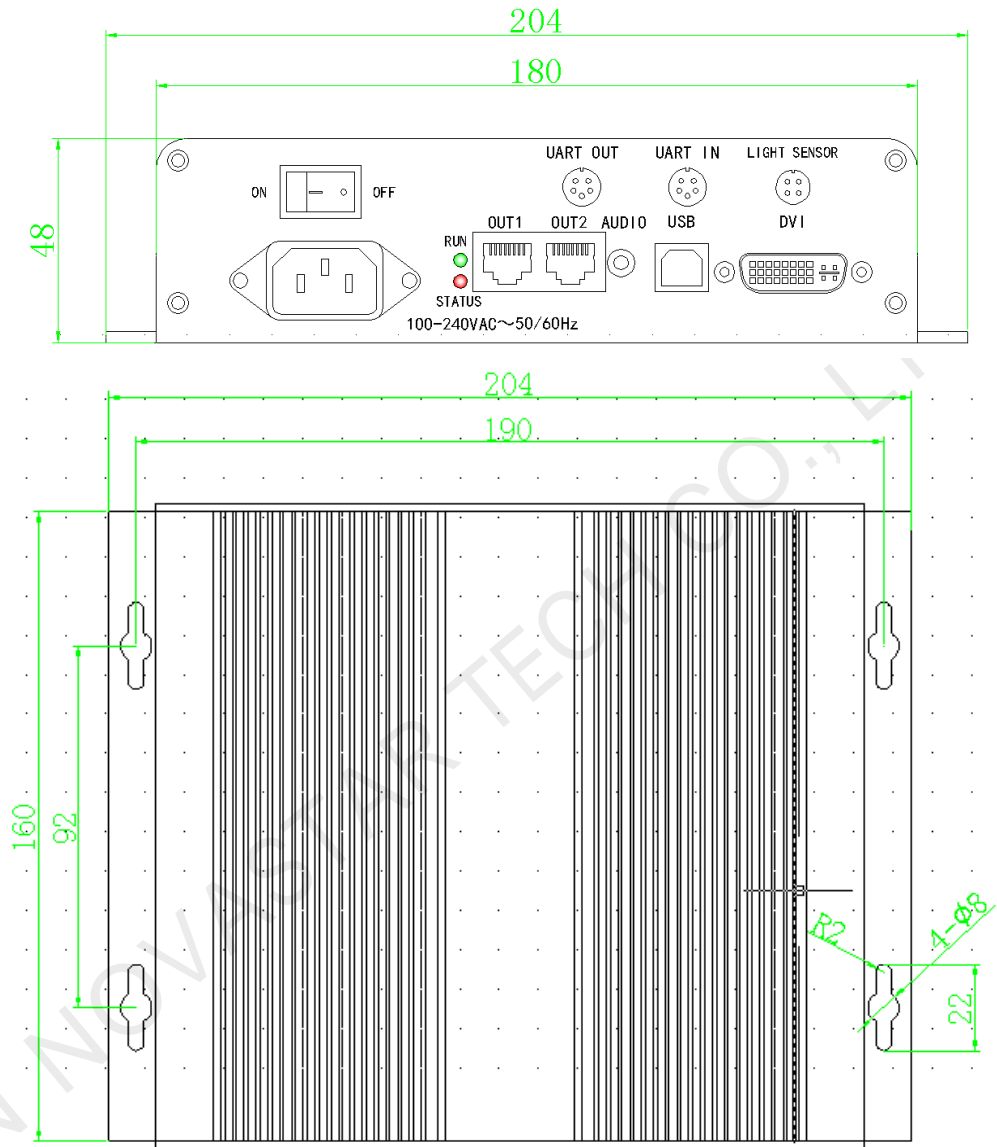
- 1) 1 DVI video input;
- 2) 1 audio input;
- 3) 2 Ethernet port outputs;
- 4) USB interface which can be cascaded for uniform control;
- 5) Single sending card supports resolution of 1280×1024, 1024×1200, 1600×848, 1920×712 or 2048×668;
- 6) 1 light sensor interface;
- 7) Independent power supply;
- 8) Cascading ports (UART OUT/IN) have adopted aviation plug which is stable and reliable.

Appearance



LED Indicator	
RUN	<p>It blinks slowly when no video source is available. (The light keeps on for 2 seconds and then off for 2 seconds.)</p> <p>It blinks normally when the video source is available. (It blinks about twice per second.)</p> <p>It blinks quickly when start-up screen is displayed.</p> <p>When the redundancy works, the indicator blinks at a frequency of breathing.</p>
STATUS	It is steady on when the equipment runs normally and blinks during authorization.
INPUTS	
AUDIO	Audio Input
DVI IN	DVI Input
OUTPUTS	
OUT1~2	2 LED Outputs
Control	
TO PC	Connected to PC , USB control interface
UART IN、OUT	Cascaded Input, Output
Accessory	
LIGHT SENSOR	Connected to sensor
POWER	
AC-100-240V-50/60HZ	AC power interface

Dimensions



Unit: mm

Specifications

Input Index		
Port	Number	Resolution Specification
DVI	1	VESA Standard

Specifications	
Overall power consumption	16W
Temperature of working environment	-20°C~60°C
Humidity of working environment	0%~95%
Net weight	1 Kg
USB Cable	1.5 M
DVI Cable	1.5 M